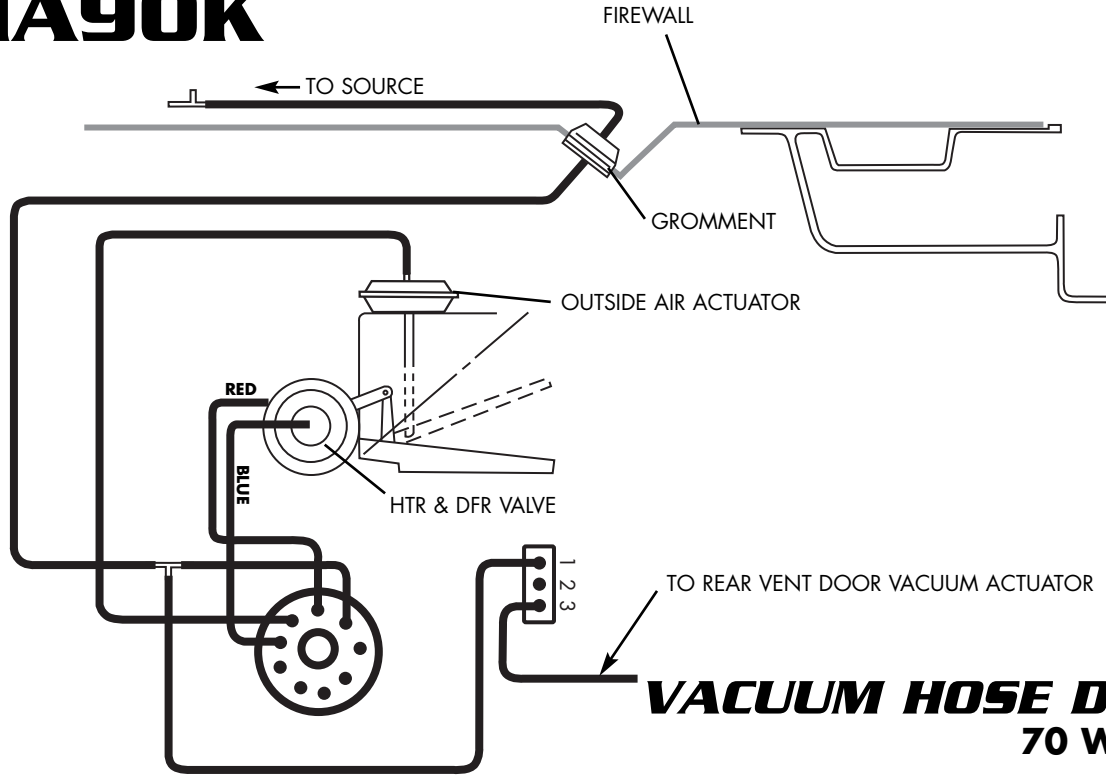


# HA90K



**VACUUM HOSE DIAGRAM**  
**70 WITHOUT A/C**