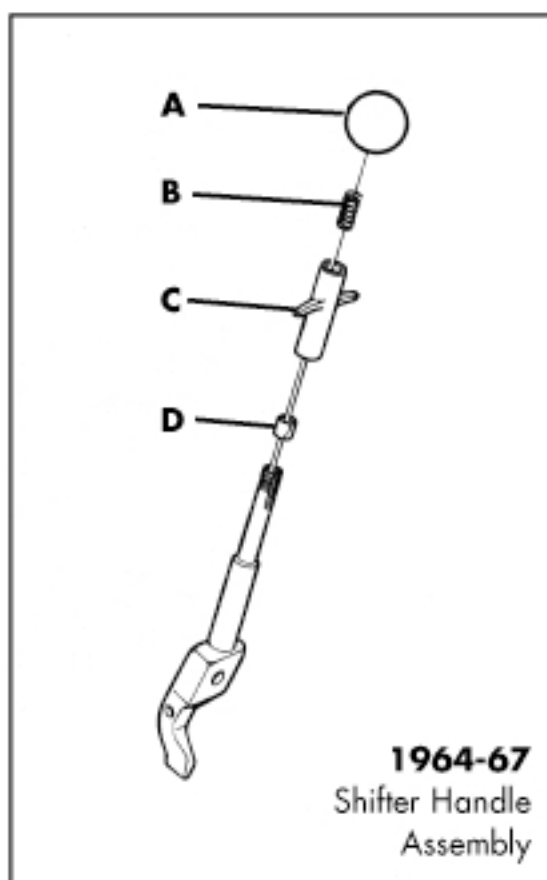
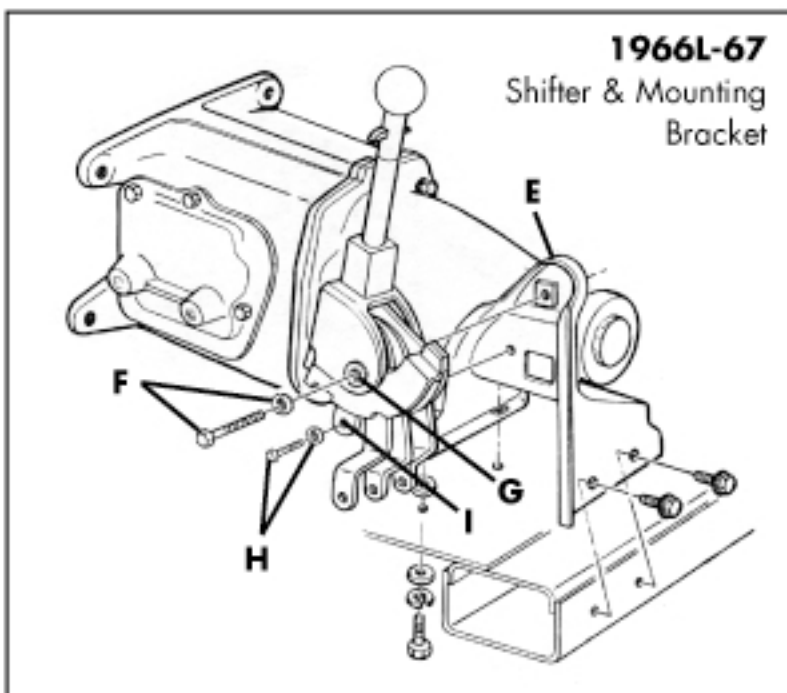
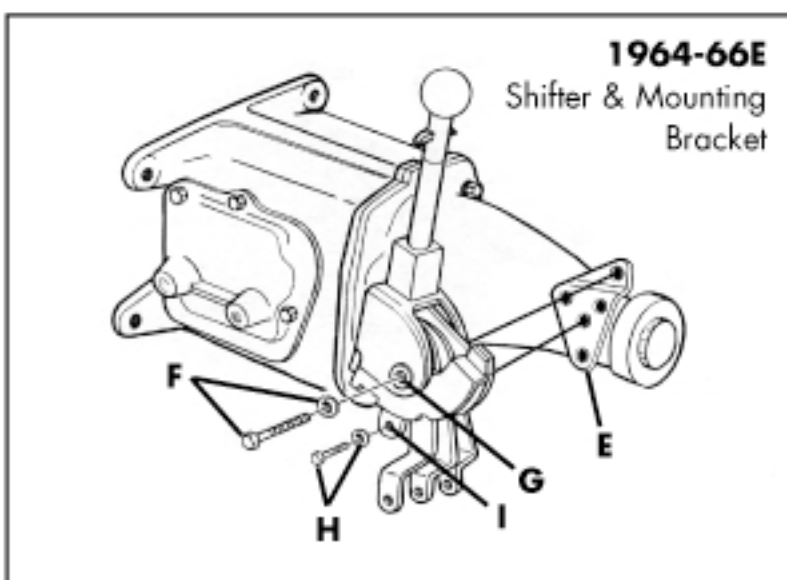


Installation Of New Shifter

1. Unscrew knob (A)
2. Lift off lock-out rod spring (B)
3. Remove T-handle (C) (lock out rod should come with handle)
4. Remove T-handle bushing (D)
5. From underneath car, push shifter assembly up through shifter boot and position onto shifter mount bracket. (E)
6. Install long bolt with lock washer (F) through shifter control lever shaft (G) *Torque to 20-30 ft. lbs.
7. Install short bolt with lock washer (H) through shifter lever bracket (I) *Torque to 20-30 ft. lbs.
8. From inside car, replace bushings (D), T-handle with rod (C), spring (B), and knob (A).



We do not guarantee or warrant this product. Should this product be found defective upon purchase, please return, freight prepaid, and at that time we will determine if repair or replacement is in order. We are not responsible for any damage to engine or other parts, labor, or personal injury or any other damage or injury arising from the use of this product.