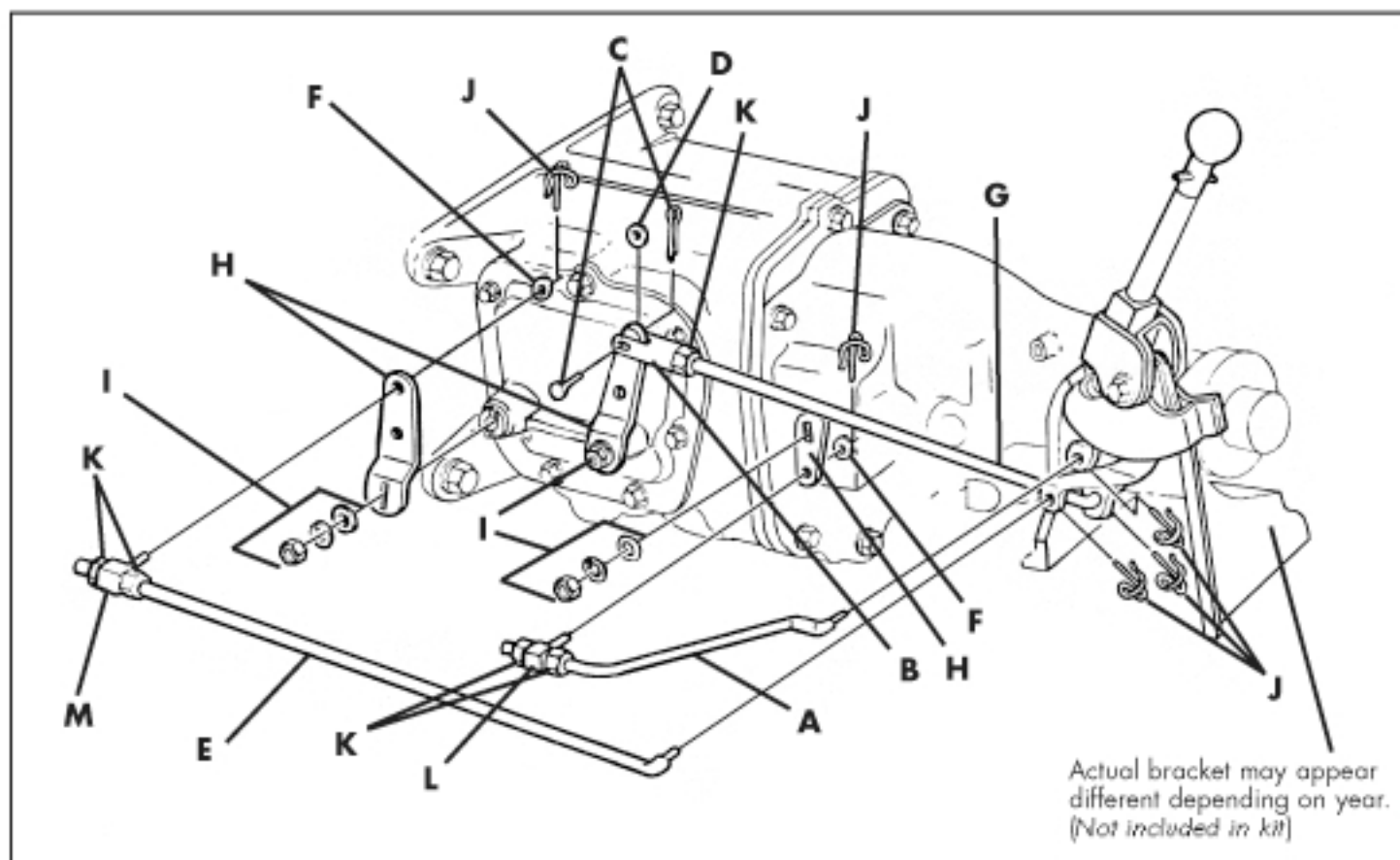


SH010 1964-68 Shifter Linkage Kit



Parts List: SH010 Linkage Kit 1964-68

- A. (1) **SH044A** SHIFTER REVERSE ROD
- B. (1) **SH045C** SHIFTER ROD CLEVIS (1 & 2 ROD)
- C. (1) **SH046** SHIFTER ROD CLEVIS PIN W/COTTER PIN
- D. (1) **SH046D** SHIFTER ROD CLEVIS BOWED SPRING WASHER
- E. (1) **SH047** SHIFTER ROD (3RD & 4TH)
- F. (1) **SH047B** SHIFTER CONTROL ROD SWIVEL WASHERS (1PR)
- G. (1) **SH045A** SHIFTER ROD (1ST & 2ND)
- H. (1) **SH048A** SHIFTER LEVER KIT ON TRANSMISSION (3PCS)
- I. (1) **SH048B** SHIFTER LEVER NUT & WASHER SET (FASTENS LEVERS TO TRANSMISSION) 9PCS.
- J. (5) **SH030** SHIFTER LINKAGE RETAINER CLIP
- K. (5) **SH045** SHIFTER LINKAGE ROD NUT (5 REQ'D)
- L. (1) **SH044** SHIFTER CONTROL ROD SWIVEL (LONG) (REVERSE)
- M. (1) **SH047A** SHIFTER CONTROL ROD SWIVEL (SHORT) (3 & 4)

We do not guarantee or warrant this product. Should this product be found defective upon purchase, please return, freight prepaid, and at that time we will determine if repair or replacement is in order. We are not responsible for any damage to engine or other parts, labor, or personal injury or any other damage or injury arising from the use of this product.